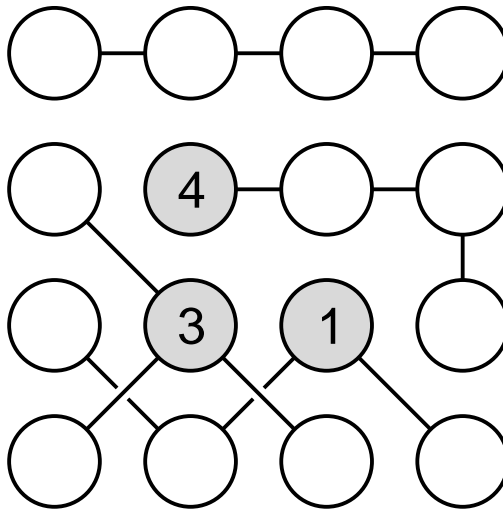




your streamy logic

Easy Strimko 116



Made specially for Puzzles.COM **Puzzles.COM**

Posted: March 5, 2010

more *STRIMKO* at www.strimko.com

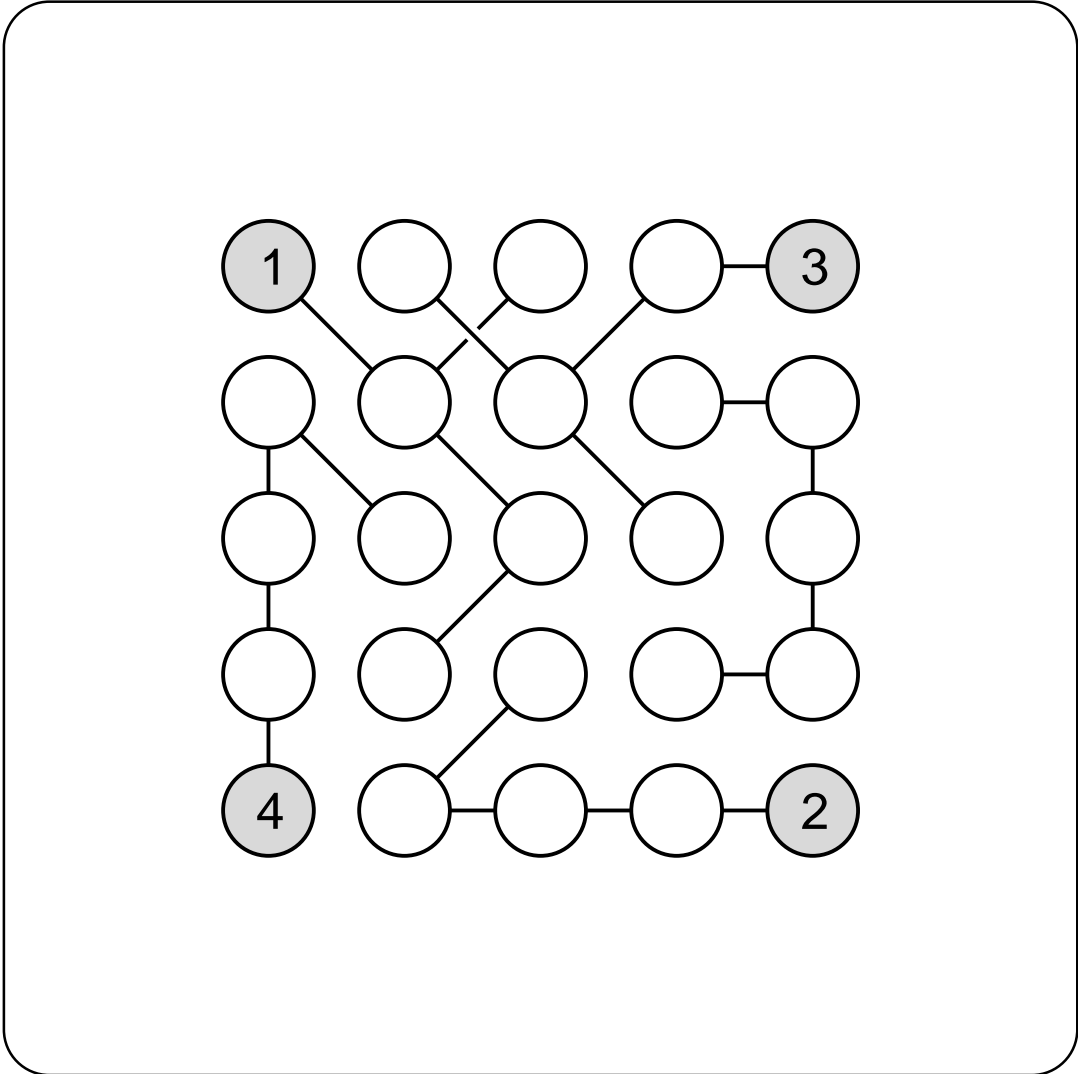
© The Grabarchuk Family. All Rights Reserved.

Permission is granted for personal use only. This puzzle may not be duplicated for any kind of profit.



your streamy logic

Medium Strimko 116



Made specially for Puzzles.COM **Puzzles.COM**

Posted: March 5, 2010

more STRIMKO at www.strimko.com

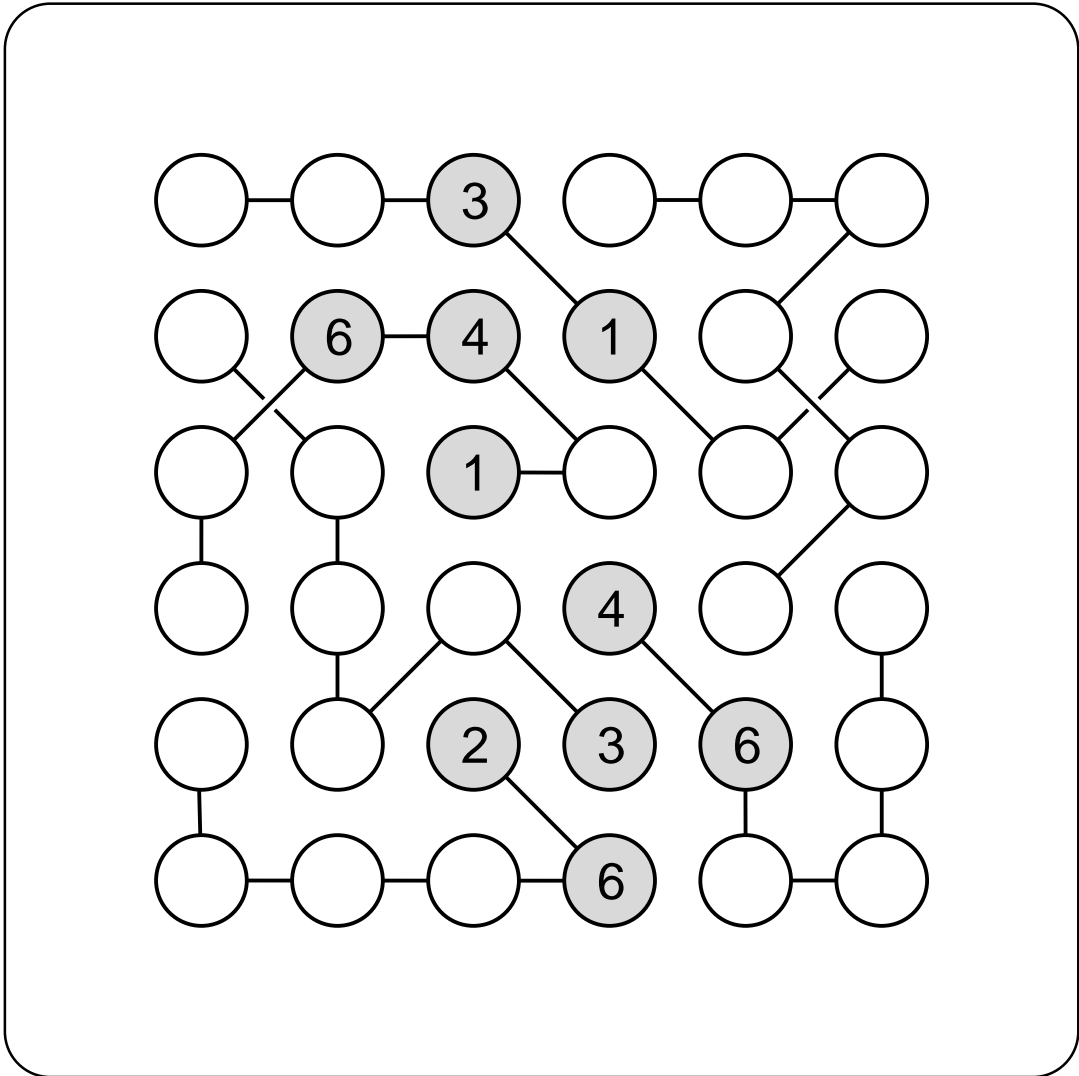
© The Grabarchuk Family. All Rights Reserved.

Permission is granted for personal use only. This puzzle may not be duplicated for any kind of profit.



your streamy logic

Hard Strimko 116



Made specially for Puzzles.COM **Puzzles.COM**

Posted: March 5, 2010

more STRIMKO at www.strimko.com

© The Grabarchuk Family. All Rights Reserved.

Permission is granted for personal use only. This puzzle may not be duplicated for any kind of profit.