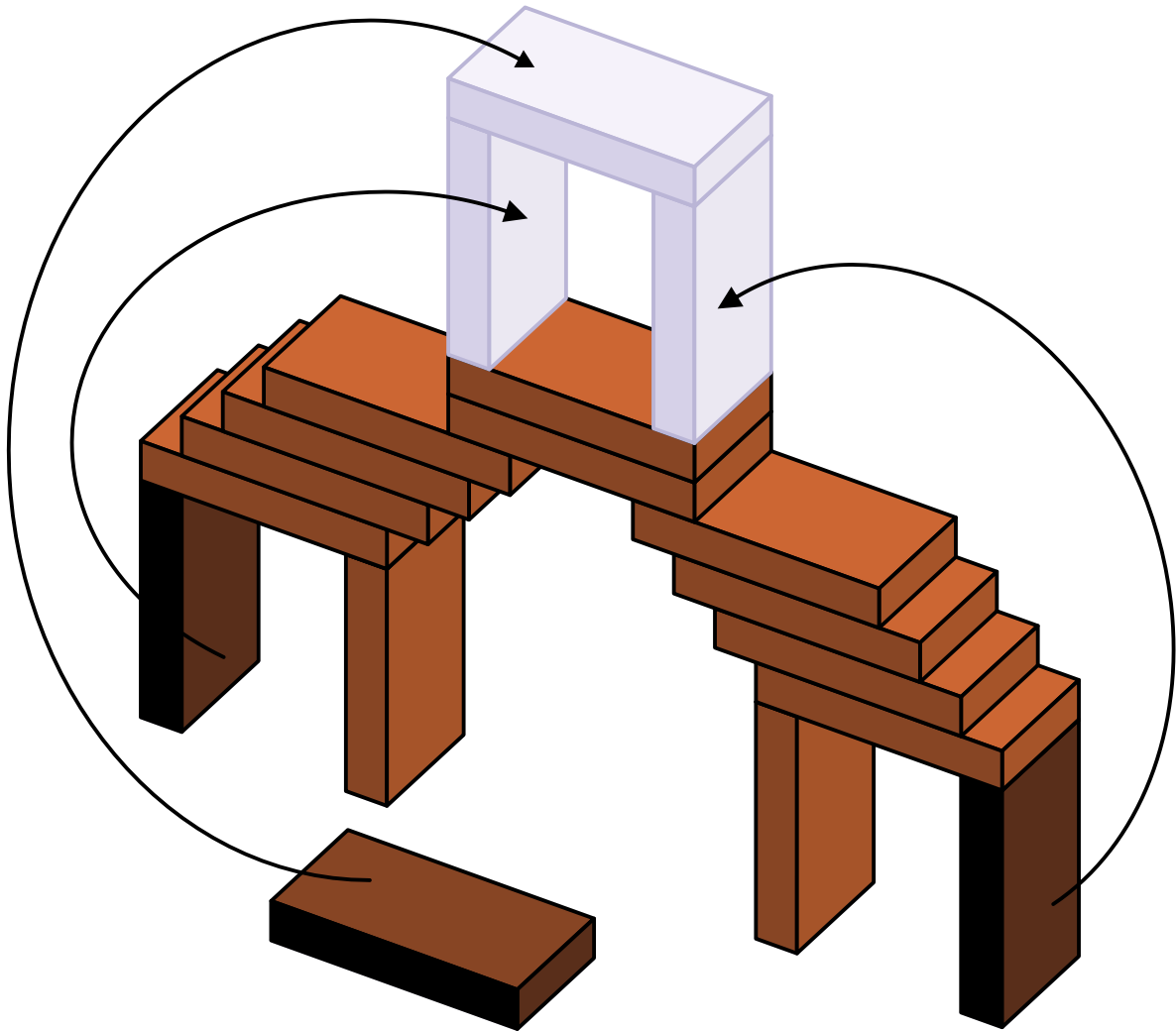


At first glance this structure seems impossible to build. After all it would collapse before many of the bricks (or in this case, dominoes) were laid. But the bridge is actually easy to construct if you approach it with the right frame of mind.



The key to constructing the bridge is to set up two dominoes as temporary supports as shown in the illustration. When enough dominoes have been placed to give the structure its overall stability, the supports can be removed and placed on top.