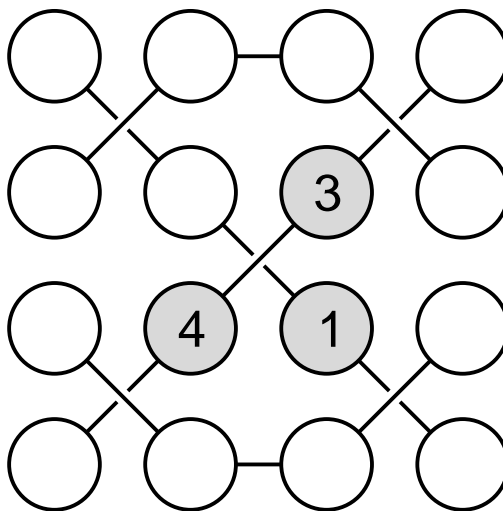




your streamy logic

## Easy Strimko 062



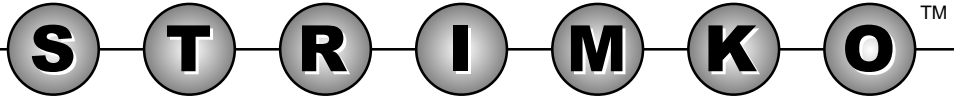
Made specially for Puzzles.COM **Puzzles.COM**

Posted: July 7, 2009

more STRIMKO at [www.strimko.com](http://www.strimko.com)

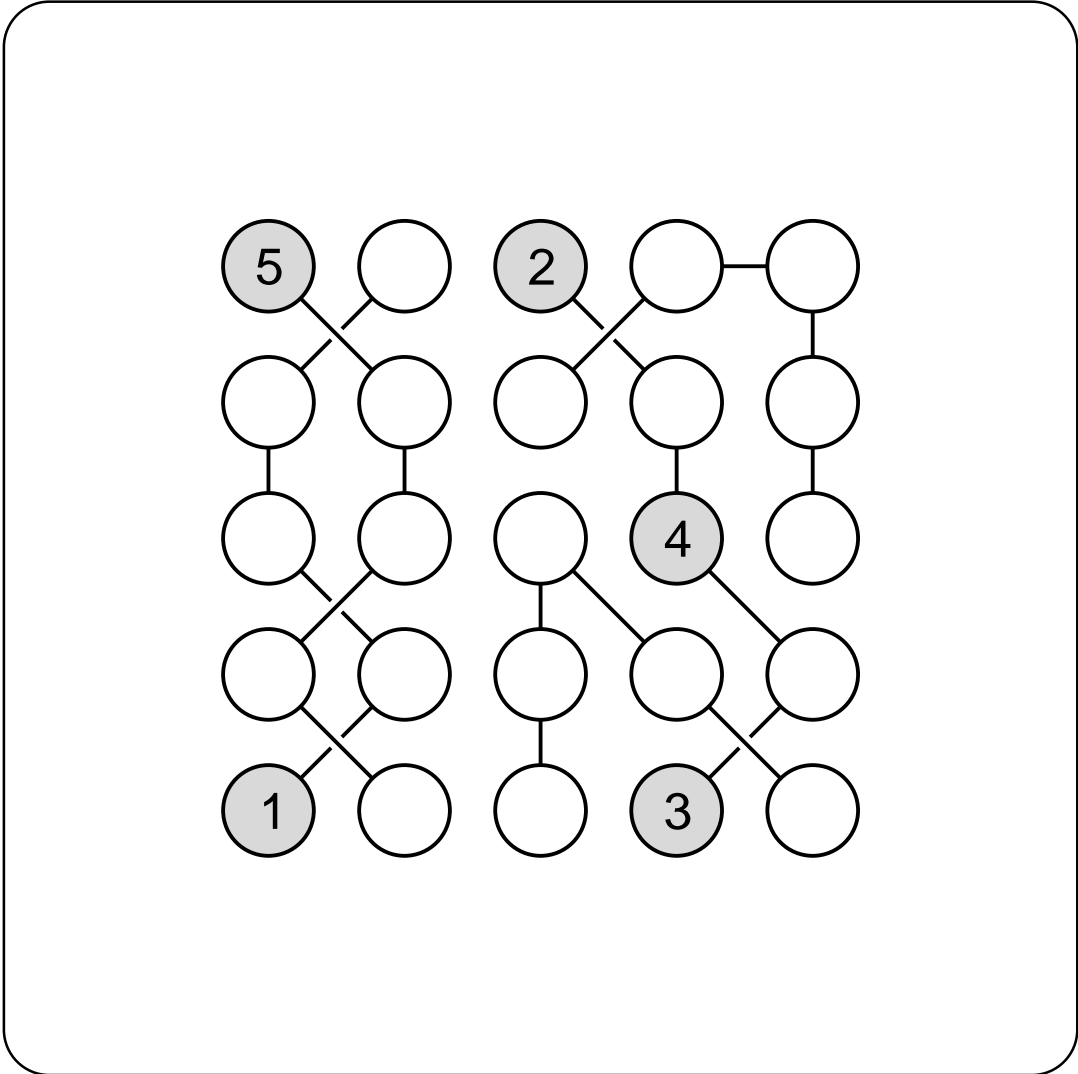
© The Grabarchuk Family. All Rights Reserved.

Permission is granted for personal use only. This puzzle may not be duplicated for any kind of profit.



your streamy logic

### Medium Strimko 062



Made specially for Puzzles.COM **Puzzles.COM**

Posted: July 7, 2009

more STRIMKO at [www.strimko.com](http://www.strimko.com)

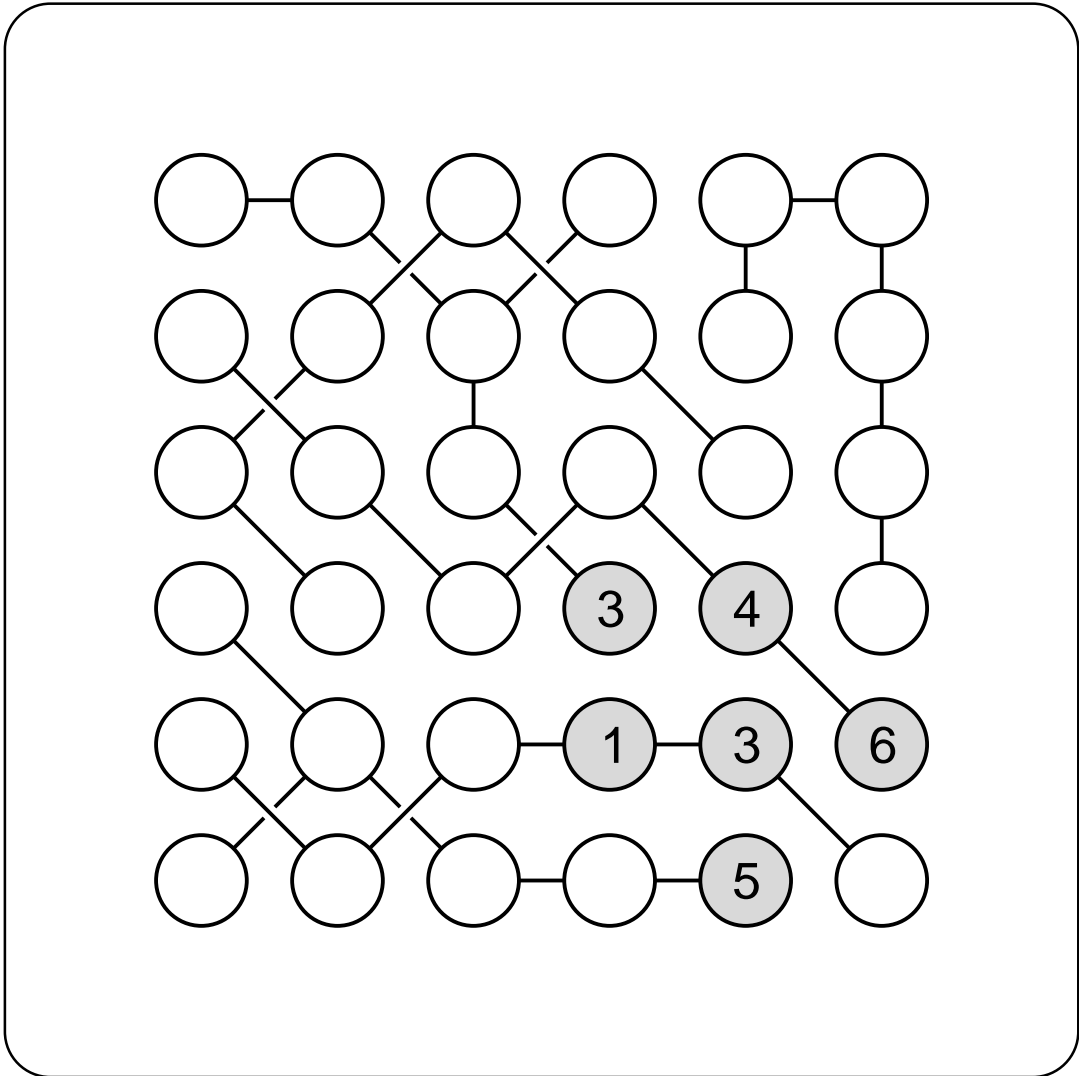
© The Grabarchuk Family. All Rights Reserved.

Permission is granted for personal use only. This puzzle may not be duplicated for any kind of profit.



your streamy logic

### Hard Strimko 062



Made specially for Puzzles.COM **Puzzles.COM**

Posted: July 7, 2009

more STRIMKO at [www.strimko.com](http://www.strimko.com)

© The Grabarchuk Family. All Rights Reserved.

Permission is granted for personal use only. This puzzle may not be duplicated for any kind of profit.