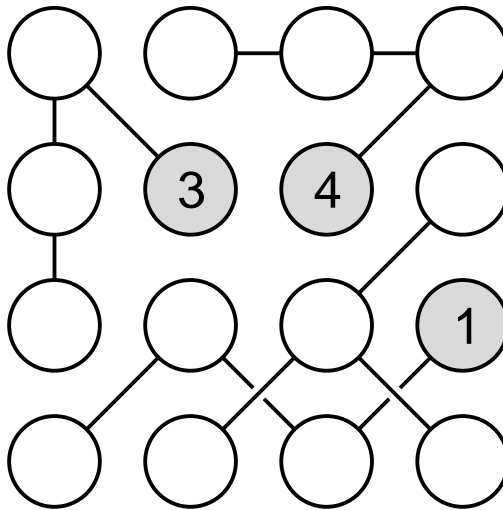




your streamy logic

Easy Strimko 108



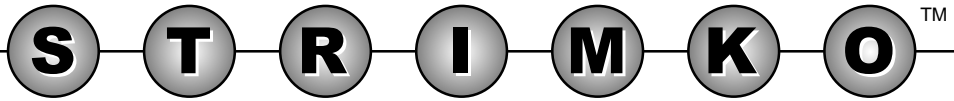
Made specially for Puzzles.COM **Puzzles.COM**

Posted: January 12, 2009

more *STRIMKO* at www.strimko.com

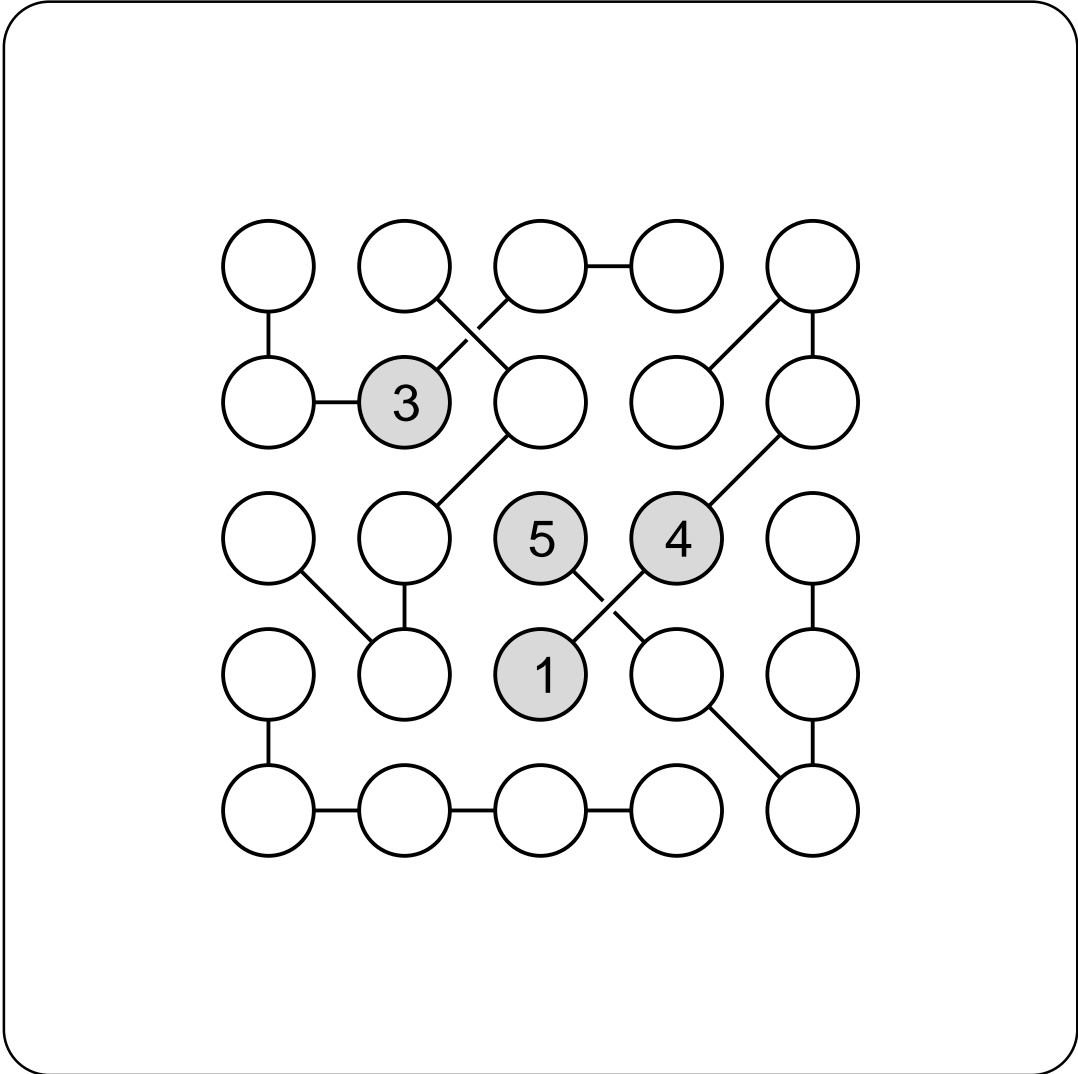
© The Grabarchuk Family. All Rights Reserved.

Permission is granted for personal use only. This puzzle may not be duplicated for any kind of profit.



your streamy logic

Medium Strimko 108



Made specially for Puzzles.COM **Puzzles.COM**

Posted: January 12, 2009

more STRIMKO at www.strimko.com

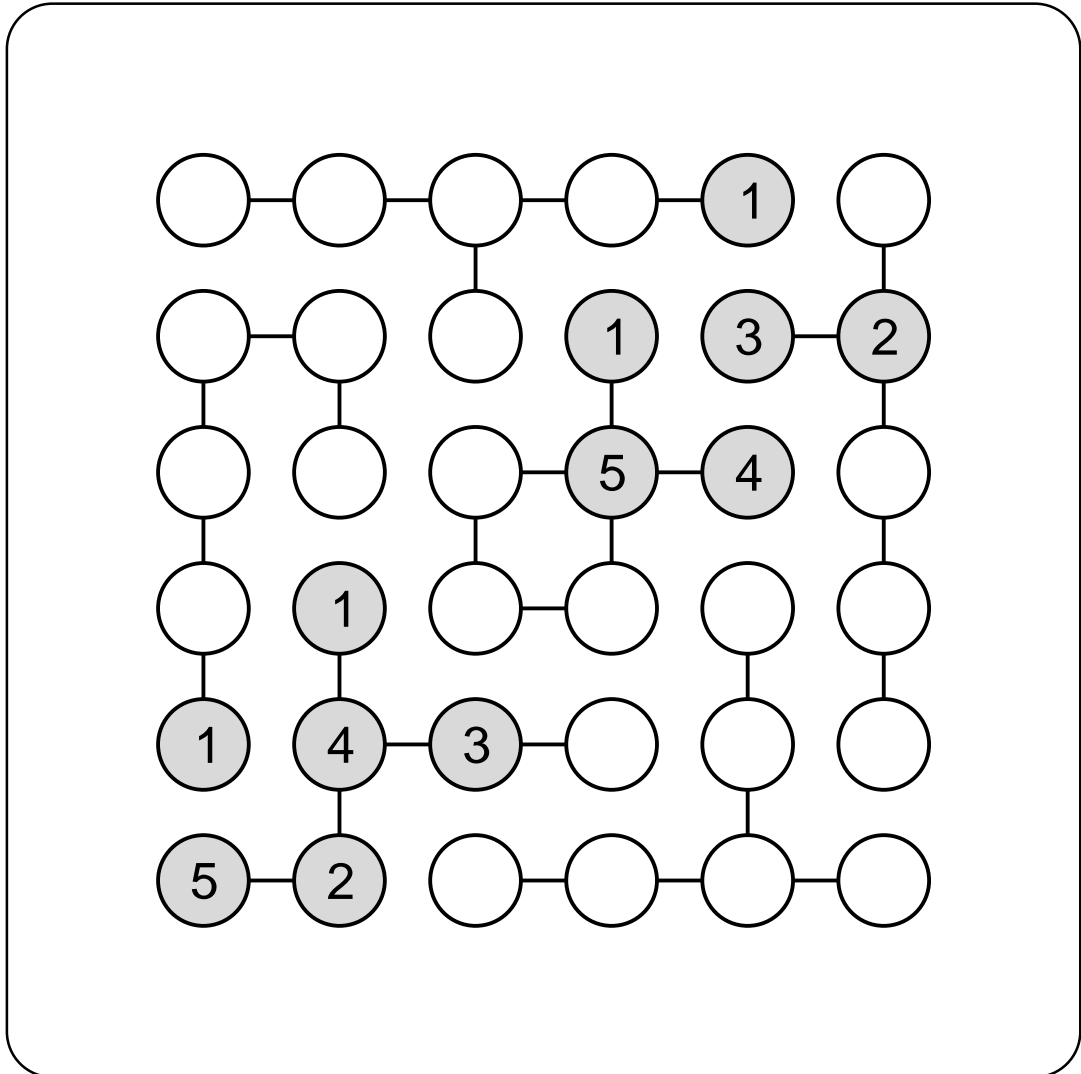
© The Grabarchuk Family. All Rights Reserved.

Permission is granted for personal use only. This puzzle may not be duplicated for any kind of profit.



your streamy logic

Hard Strimko 108



Made specially for Puzzles.COM **Puzzles.COM**

Posted: January 12, 2009

more STRIMKO at www.strimko.com

© The Grabarchuk Family. All Rights Reserved.

Permission is granted for personal use only. This puzzle may not be duplicated for any kind of profit.